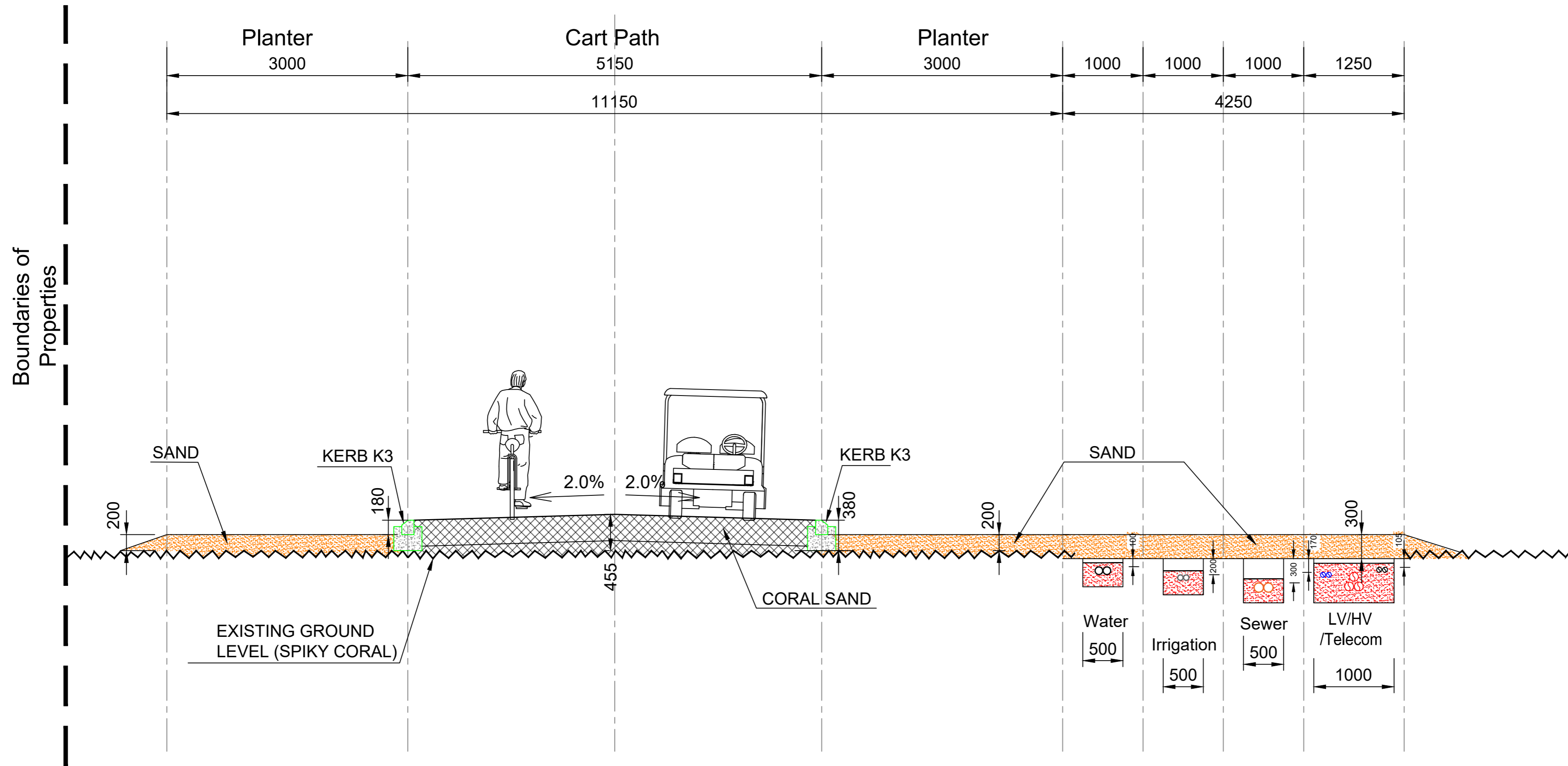


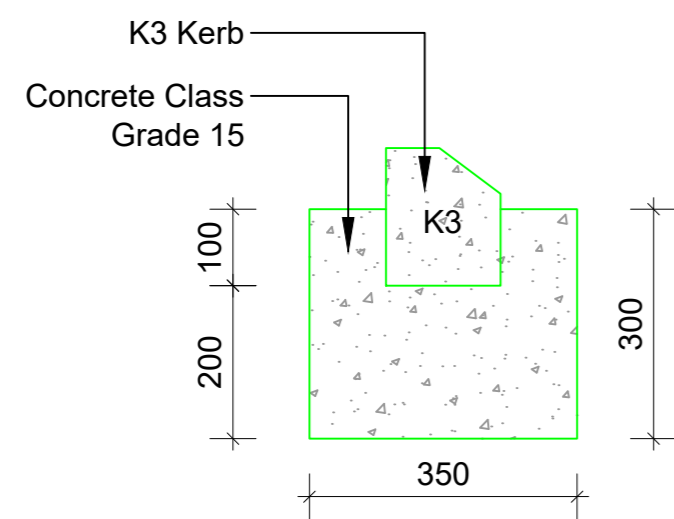
To PRM Villas



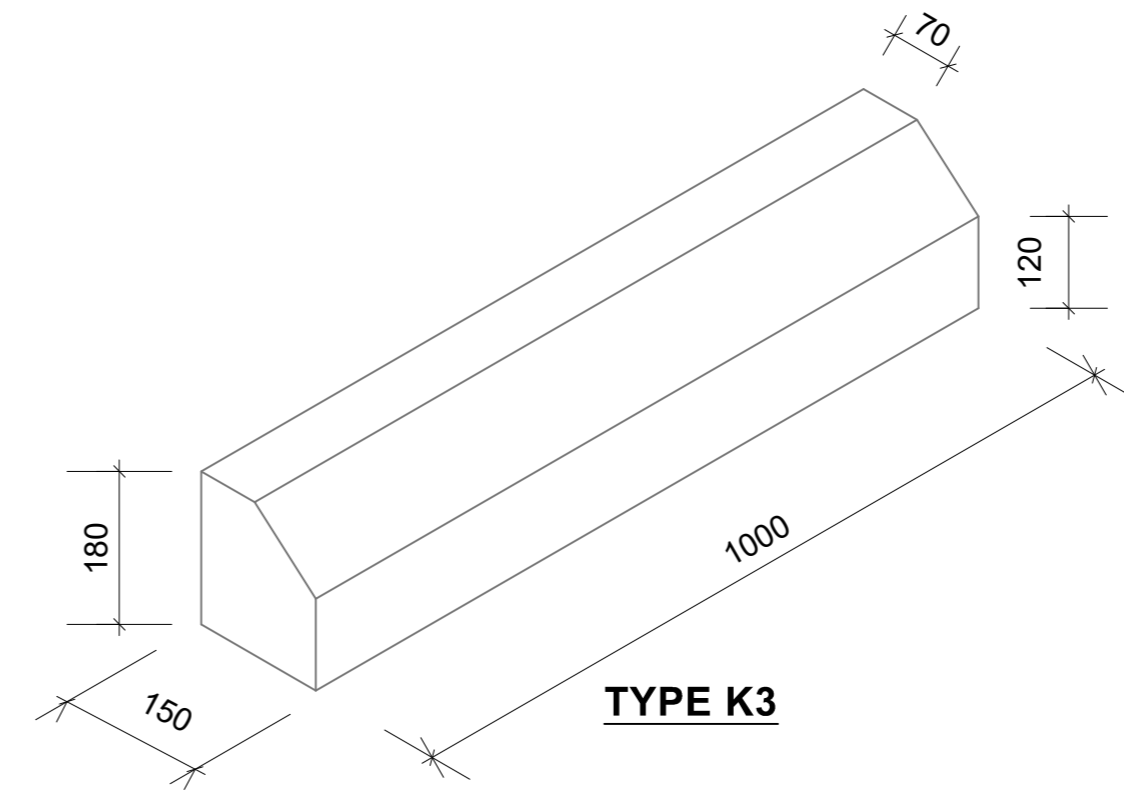
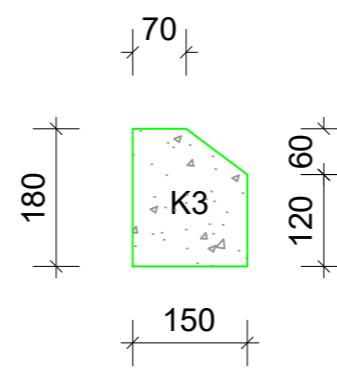
CART PATH CROSS SECTION SHOWING ALL SERVICES



Kerb K3 Typical Details



TYPE K3 Low Kerb



REV.	DESCRIPTION	DATE	DRN	CHD	APPD
ISSUES/ REVISIONS					

PROJECT: ASSOMPTION ISLAND

CLIENT: OCEAN BREEZE LTD

MAIN CONTRACTOR: UCC Urban Trading & Contracting

DESIGN MANAGEMENT: IDCC International Design & Consultant Company

ARCHITECTURAL CONSULTANT: HIGHNESS Highness Engineering Consultant Architects | Interiors | Engineering

JEC JOOMUN ENGINEERING CONSULTANTS LTD Engineers + Project Managers

DRAWING TITLE: CART PATH TYPICAL CROSS SECTION & KERB K3 TYPICAL DETAILS

DRN	CHD	APPD	SCALE	DATE	DWG SIZE
SK	NJ	MS	NTS	04.05.24	A2

DRAWING NUMBER: J130/NW/RW/XS/01